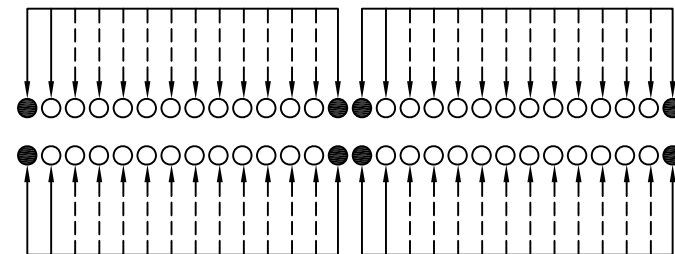
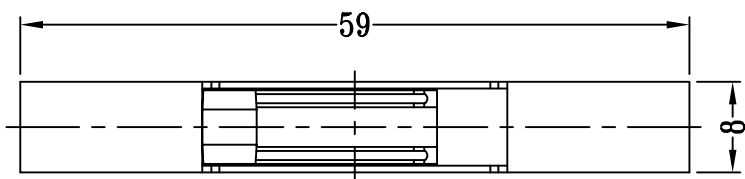
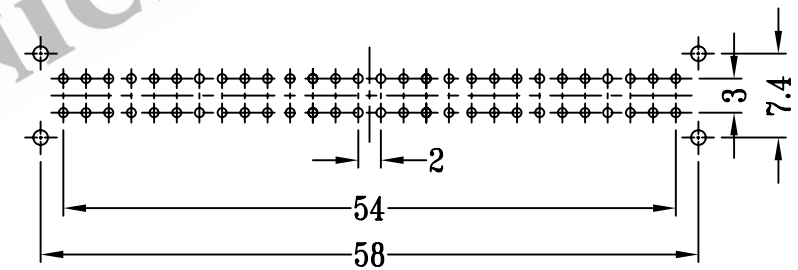
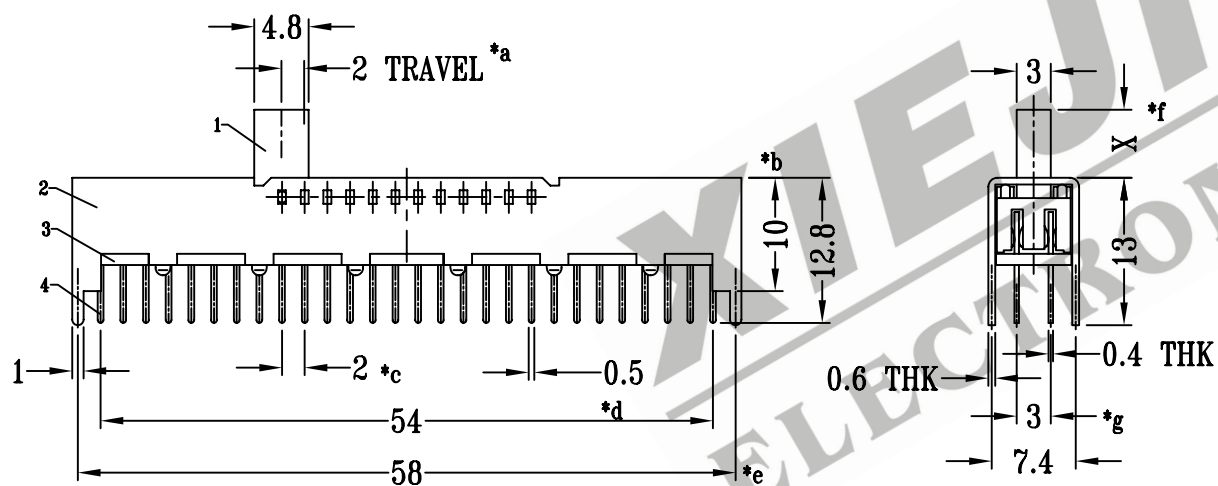


CAD FILE:



SCHMATIC (SHORTING)



P.C.B LAYOUT

注:带"*"表示关键尺寸(7个)

8					TOLERANCE UNLESS SPECIFIED	SHENZHEN XIEJIA ELECTRONICS CO.,LTD.				
7	STEEL BALL	STEEL	2	NATURAL						
6	SPRING	STEEL WIRE	2	TEMPER	WITHIN : 1.5±0.1mm	ISSUE	DATE	DESCRIPTIONS OF REVISION		APPD.
5	CONTACT CLIP	PBS C5210R-EH	4	Ag PLATED	OVER : 1.5±0.2mm					
4	TERMINAL	BRASS STRIP	56	Ag PLATED OVER Ni PLATED	TITLE : VERTICAL SLIDE SWITCH		UNIT : mm	DRWG NO.: XJ-DR-SS412D01-00		
3	BASE	PHENOLIC RESIN	1	NATURAL	MODEL: SS-412D01		SCALE: 3:2	DWN.	ZHOUYU	2005-10-12
2	KNOB	POM	1	BLACK	ALL MATERIALS MUST BE COMPLIANT TO ROHS			CHK'D	FANGYING	2005-10-12
1	FRAME	STEEL STRIP	1	Ni PLATED				APPD.	KANGXINAN	2005-10-12
NO.	PARTS	MATERIALS	Q'TY	FINISH						